

**LAMP****HES** INSTALLATION MANUAL**FOR HES3D-160 CONCEALED HINGE**

Thank you for selecting our product. Before starting installation, please read this manual thoroughly to ensure correct installation. Please keep this manual at hand for future reference.

**ABOUT THE PRODUCT**

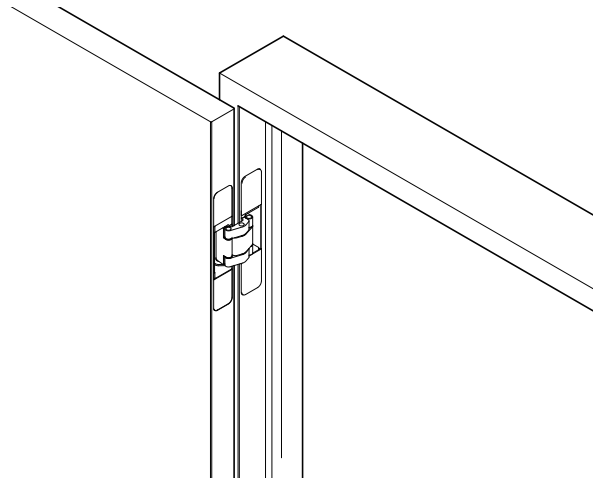
- This product is a concealed hinge for indoor use to be recessed in the cut out on door and doorframe.
- 3 way adjustment function allows vertical, horizontal, and depth adjustment.

**DOOR SPECIFICATION**

Min. Door thickness	35 mm
Max. Door weight	45kg per 2 hinges, 60kg per 3 hinges
Max. Door size	Width: 900 mm, Height: 2400 mm

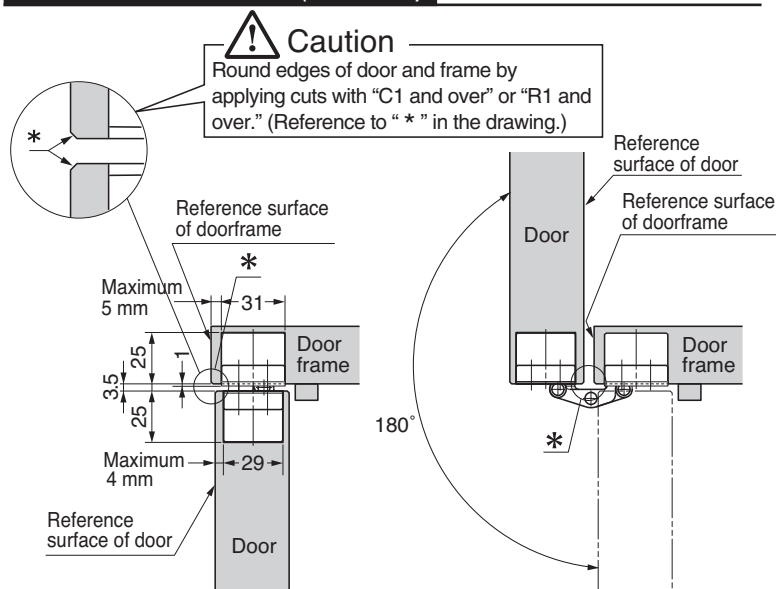
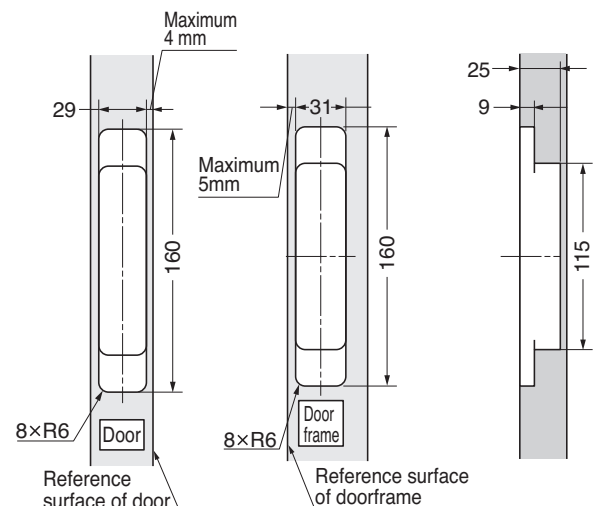
**COMPONENT PARTS (PER BOX)**

• Concealed hinge	2 pcs
• Template	1 pc
• Countersunk head wood screw 4.8x25	8 pcs x 2 bags
• Hex Key 4mm	1 pc

**FOR YOUR SAFE WORK AND CORRECT INSTALLATION****Meaning of symbols**

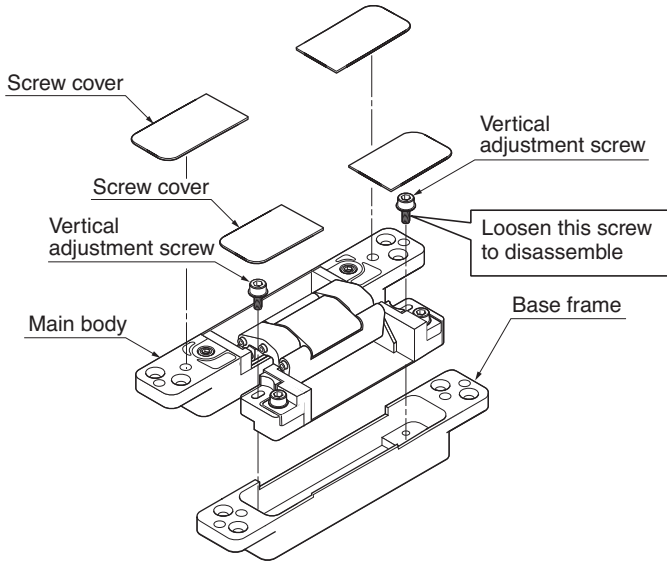
**Caution:** If these cautions are not followed, it may result in injury or damage.

- ❗ It is necessary to manufacture the frame with sufficient strength so it endures the weight of the door and impact shocks upon opening/closing the door. Also make sure to only use the designated screws and to fasten them firmly. A cabinet with poor strength or loose screws might result the door to be dropped down and cause injury.
- ⊘ Do not try to use this product for any other purposes other than originally intended for. Do not use the parts for applications that are out of specification.
- ⊘ Use in conjunction with a door closer is not recommended. For soft-close option, we recommend Sugatsune LDD-V or LDD-S door damper.
- ❗ Make sure to follow the designated measurements and specifications as well as horizontal and verticals angles. Make sure that the frame is not warped, since it may affect the movement of the door.
- ❗ This product is a part for architectural fittings. After installation, make sure to test the finished product thoroughly to ensure that it is well-functioning and safe.
- ❗ Make sure to test the screws for slack at regular intervals (one month from first usage, half year and then one time every year is recommended).

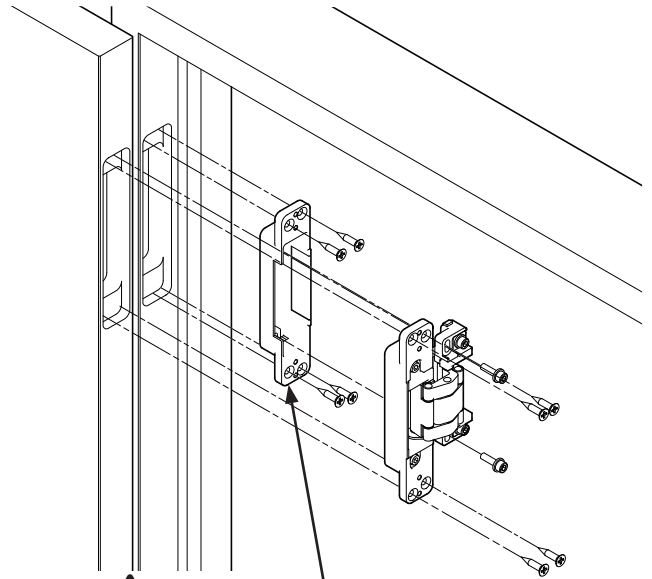
**INSTALLATION DRAWING (EXAMPLE)****CUT OUT DRAWING FOR DOOR AND DOORFRAME**

## INSTALLATION PROCEDURE

### 1 Disassembly of Hinge



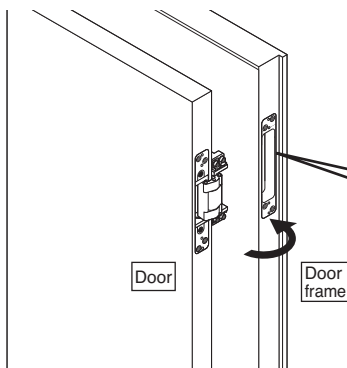
### 2 Installing Hinge to Door and Cabinet



#### ! Caution

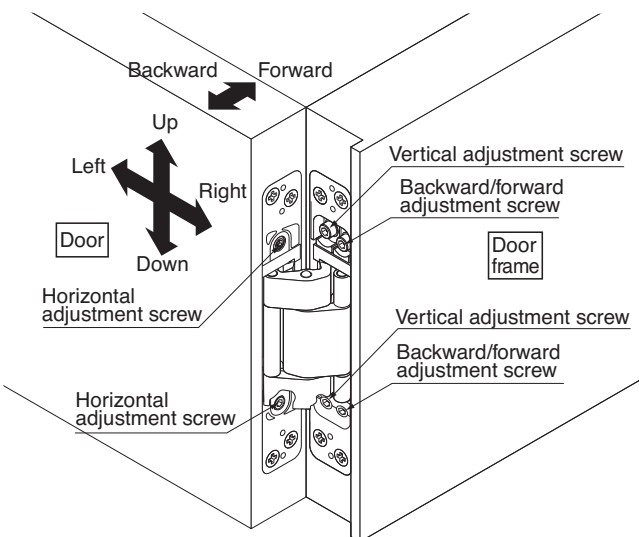
- ! Before installing Base frame to Doorframe, check the mounting direction by coupling it with Hinge main body.

### 3 Hanging Door



While holding the door, insert Hinge main body into the Base frame on Doorframe. Keep holding the door and fix the hinge with the fixing screws at once.

## ADJUSTING DOOR POSITION



- When adjusting Vertical or Backward/Forward position, loosen the screws 360-degree, then hold the door at the suitable position and re-tighten the screws. Use wedges to support the door. (Tightening torque is 4.9 N·m.)

- When adjusting horizontal position, turn Horizontal adjustment screw. (There are two screws per hinge.)

The gap between Door and Frame will be expanded by turning the screw to the right.

#### ! Caution

- ⊘ Do not remove Front/back adjustment screw. The door may be dropped and cause injury.
- ! When adjusting horizontal position, turn both screws little by little, same amount. The hinge may be broken if you keep turning one screw only.
- ! Horizontal adjustment range is +3mm/-2mm. When turning the screw to the right, if you move the part more than 2mm, the cover cannot be put on, since the part protrudes. If you still turn the screw, the door will be dropped.

**SUGATSUNE KOGYO CO.,LTD.**  
 Phone: +81 3 3866 2260  
 Fax: +81 3 3866 4447  
 E-mail: export@sugatsune.co.jp  
 Website: www.sugatsune-intl.com

**SUGATSUNE KOGYO (UK) LTD.**  
 Phone: +44 118 9272 955  
 Fax: +44 118 9272 871  
 E-mail: sales@sugatsune.co.uk  
 Website: www.sugatsune.co.uk

**SUGATSUNE AMERICA, INC.**  
 Phone: +1 310 329 6373  
 Fax: +1 310 329 0819  
 E-mail: sales@sugatsune.com  
 Website: www.sugatsune.com

**SUGATSUNE SHANGHAI CO., LTD.**  
 Phone: +86 21 3632 1858  
 Fax: +86 21 3632 1868  
 E-mail: lamp@sugatsune.com.cn  
 Website: www.sugatsune.com.cn

ISO9001(Japan Offices and Sugatsune America) and ISO14001(Chiba Production division and Logistics center), certified.