

# OTS® BASIC

Programmable in free mode, the BASIC OTS is a safe bet for facilities that require simple and direct locker management.

Stand alone or as part of an access control system, the OTS transponder is a secure choice. Users can open or close lockers by simply pressing a proximity media: card, bracelet or Wellness® key against the door knob.





# OTS® BASIC

## RFID LOCK



OTS BASIC  
FRONT



OTS BASIC  
BACK

### HIGH BATTERY LIFE

High autonomy due to the low battery consumption.

### USER FRIENDLY

Easy to use by pressing knob.

Easy mounting in the door.

Unobtrusive appearance in the unit thanks to its design.

### MOISTURE PROOF

Moisture proof.

### ROBUSTNESS

Vandal proof using a back-stop system for the cam.

### MANAGEMENT

Equipped with accessories for easy handling (master and service key).

Programmable in free mode.

### DATA TRANSFER

Occupied locker detection through integration with the turnstile.

### COMPATIBILITY

Compatible with access controls thanks to Mifare technology.

Compatible with leading fitness training systems: Technogym Wellness System, Preva Networked Fitness, Milon.



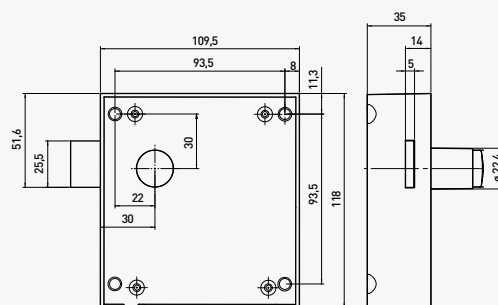
### OTS BASIC

#### TECHNICAL FEATURES

POWER SUPPLY	4 AA 1.5V batteries
BATTERY LIFE	30,000 cycles
DETECTION OF LOW BATTERY	✓
COMMUNICATION INTERFACE	-
TECHNOLOGY	Mifare 1k, 4k
TEMPERATURE RANGE	-20° to + 70°
PROTECTION AGAINST SOLID AND LIQUID BODIES	IP55
PROTECTION AGAINST EXTERNAL IMPACT	IK7
PROTECTION AGAINST INTERNAL IMPACT	IK9
DISPLAY	-
DIMENSIONS	109,5 x 35 x 118 mm

In the case of use with metal lockers, please contact Ojmar.

#### TECHNICAL DRAWINGS



INTELLIGENT LOCKING SYSTEMS

Polígono Industrial de Lerun, s/n  
20870 Elgoibar · Spain  
T. +34 943 748484  
www.ojmar.com

