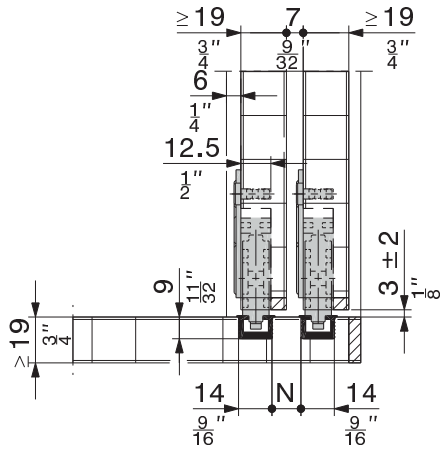


Hardware system for bottom running sliding cabinet doors with a weight up to 15 kg (33 lbs.) or 25 kg (55 lbs.).

Description

This hardware system permits extremely simple furniture construction. The top tracks and bottom guides are glued, which means that cabinet bottoms and tops with a thickness of only 19 mm ($\frac{3}{4}$ ") can be used.

The sliding doors are vertically adjustable and are quick and easy to install. This is the ideal hardware system for interior designers and the furniture industry.

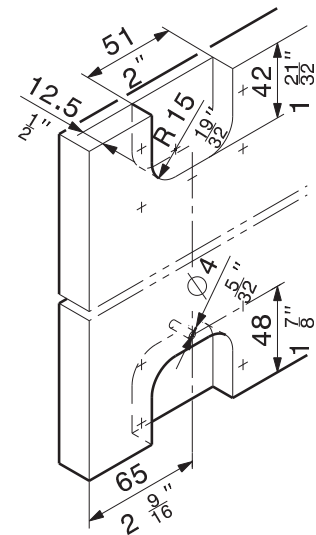
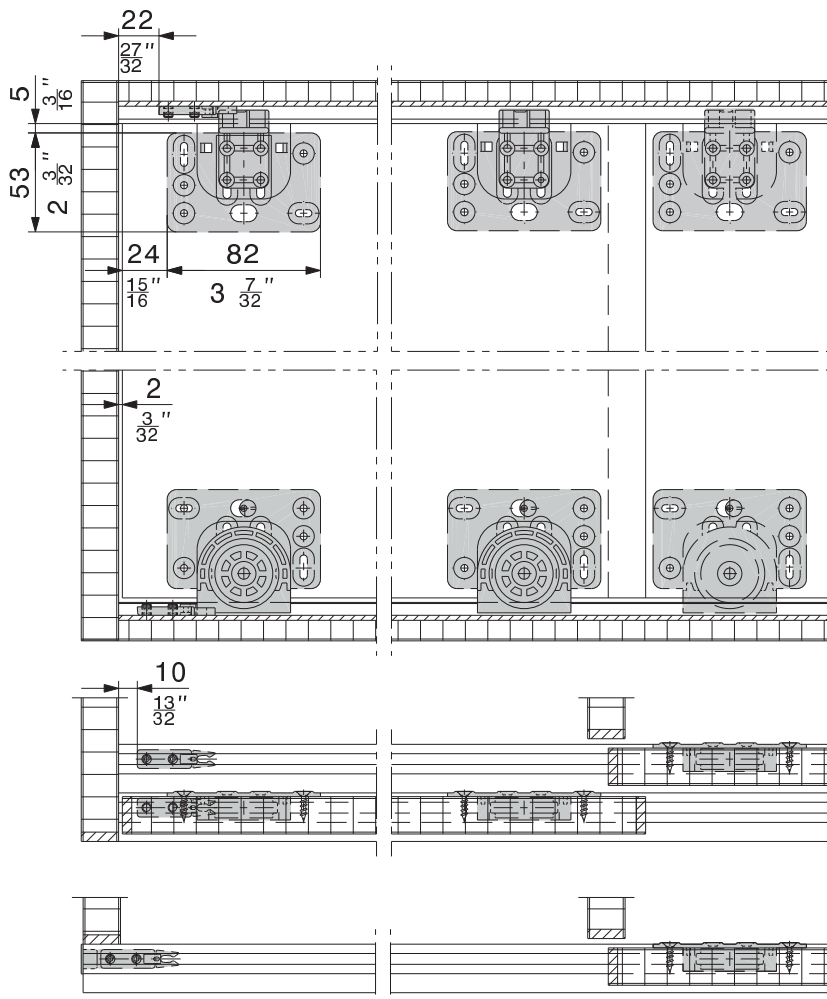


Features of the HAWA-Miniroll 15

- Single-wheeled trolley with sliding bearings
- Maximum sliding door weight, 15 kg (33 lbs.)

Features of the HAWA-Miniroll 25

- Single-wheeled trolley with ball bearings
- Maximum sliding door weight, 25 kg (55 lbs.)
- Minimum door thickness, 19 mm ($\frac{3}{4}$ ")
- Vertically adjustable height ± 2 mm ($\frac{5}{64}$ ")
- Track stop with retainer



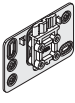
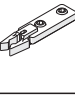

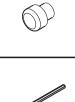



Subject to modification. Metric specifications are exact. Inches are approximate.

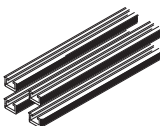


Sets without reversible top tracks/guide profiles

	panel	code
HAWA-Miniroll 15 (for sliding cabinet/wardrobe doors up to 15 kg [33 lbs.])	1	13432
	2	13433
	3	13434
HAWA-Miniroll 25 (for sliding cabinet/wardrobe doors up to 25 kg [55 lbs.])	1	13754
	2	13755
	3	13756

Set comprising

	13432	13433	13434	13754	13755	13756	code
 Single-wheeled trolley, plastic with sleeve bearing (up to 15 kg [33 lbs.])	2	4	6	-	-	-	13427
 Single-wheeled trolley, plastic with ball bearing (up to 25 kg [55 lbs.])	-	-	-	2	4	6	13753
 Fixing plate with plastic slider	2	4	6	2	4	6	13428
 Track stop with retaining effect, packed to 4-piece set	1	2	2	1	2	2	13430
 Countersunk head pressboard screws, 20-piece set	1	2	3	1	2	3	13431
 Plug-in rubber door stop	-	-	1	-	-	1	10589
 Hex key, 2,5 mm ($\frac{3}{32}$), black	1	1	1	1	1	1	13416

Reversible top tracks/guide profiles

		mm/inch	code	
	Set of 4-pieces reversible top tracks/guide profiles, anodized, to glue in	plain	2500 (8'2 $\frac{27}{64}$)	13577
			3500 (11'5 $\frac{51}{64}$)	13579
	Reversible top tracks/guide profiles, anodized, to glue in	plain	6000 (19'8 $\frac{7}{32}$)	13772
			cut to size	13414
		black	6000 (19'8 $\frac{7}{32}$)	13302
			cut to size	13407
	Guide cover cap, plastic black		13304	

Order specifications

- Number and type of hardware sets
- Number and type of track sets or
- Type and length of top track
- Number of guide cover caps

Planning / installation

Please use for planning and execution the installation instructions code 13807. (→ www.hawa.ch → HAWA-Productfinder)