



LIN-X450, LIN-X600

MONOFLAT LIN-X HINGE

MonoFlat LIN-X hinge®



	LIN-X450	LIN-X600
Door Width	400 - 500 mm	550 - 650 mm
Door Height	600 - 2400 mm	
Door Thickness	15 - 24 mm	
Door Weight	Max. 17 kg/Door	Max. 24 kg/Door
Overlay	19 mm	

Features

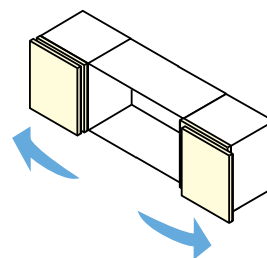
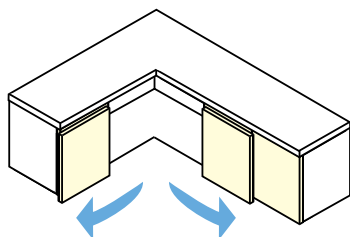
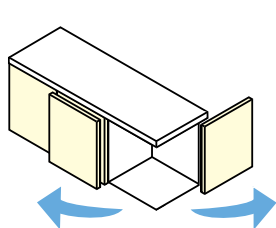
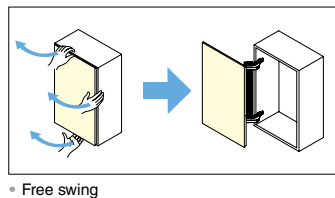
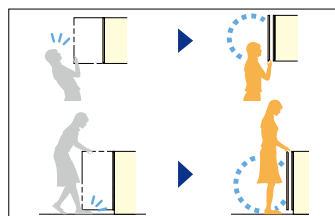
When opening or opened, cabinet doors will not get in the way. Unique and innovative design.

- Overlay installation that is flush with wall on both sides.
- Full access to cabinet interior: door will not get in the way when fully opened.
- Smooth operation: door is easy to move with little resistance no matter the position.
- Soft-closing: built-in damper makes door close gently, preventing slamming.
- Easy installation: Snap-in type installation. Same type of surface installation as concealed hinge mounting plate.
- Various applications including corner doors, double doors, overlapping doors.

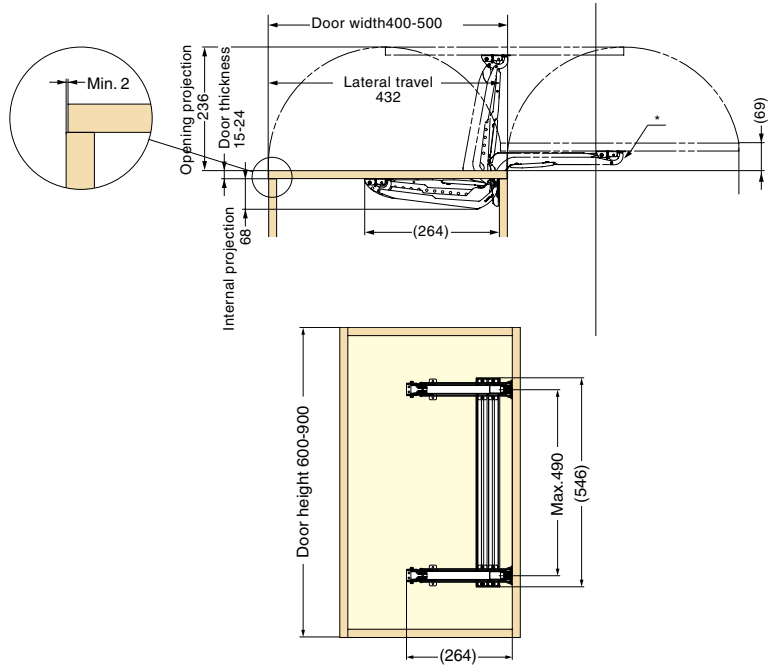
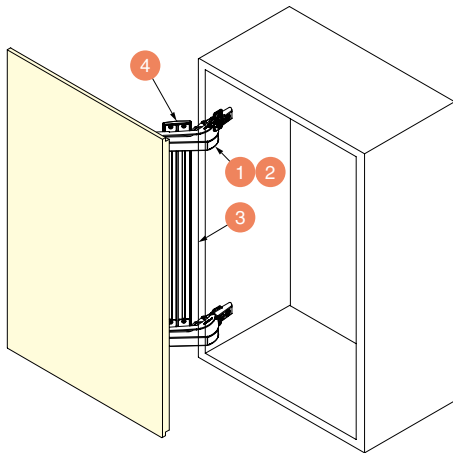
WARDROBE & CABINET DOOR HARDWARE



MONOFLAT LIN-X HINGE



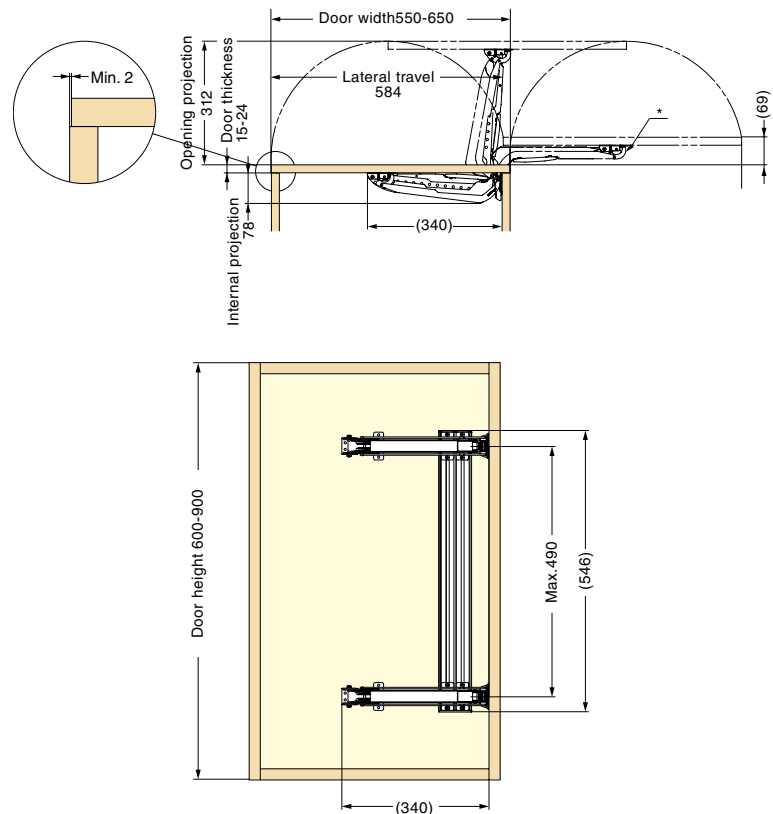
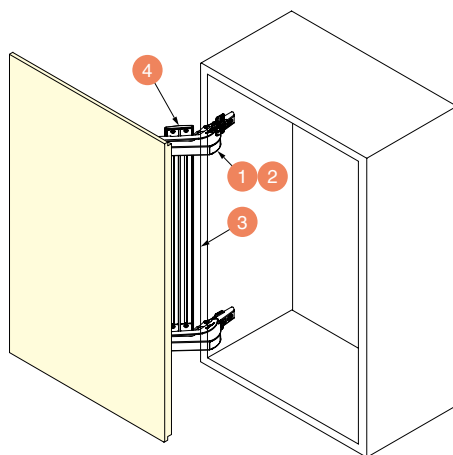
**LIN-X450 Standard Kit**



Door Width	400-500 mm
Door Height	600-900 mm
Door Thickness	15-24 mm
Door Weight	Max. 7 kg / Door

Item Code	Item Name	Overlay	Mounting Plate	Material	Finish	Weight	Box	Carton
250-014-240	LIN-X450	19 mm	230-P4W-32T	Steel/Aluminium	Nickel/Anodized	2.2 kg	1 set	6 sets
250-014-553	LIN-X450+5	14 mm	230-P4W-32T+5	Steel/Aluminium	Nickel/Anodized	2.2 kg	1 set	6 sets

**LIN-X600 Standard Kit**



Door Width	550-650 mm
Door Height	600-900 mm
Door Thickness	15-24 mm
Door Weight	Max. 9 kg / Door

Item Code	Item Name	Overlay	Mounting Plate	Material	Finish	Weight	Box	Carton
250-017-590	LIN-X600	19 mm	230-P4W-32T	Steel/Aluminium	Nickel/Anodized	3.2 kg	1 set	6 sets

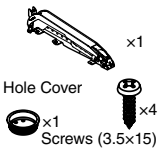
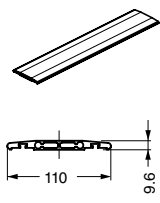
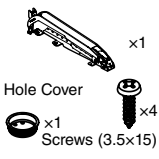
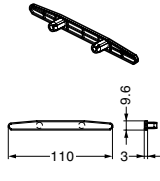
WARDROBE & CABINET DOOR HARDWARE

MONOFLAT LIN-X HINGE

LIN-X600 Individual Parts for Tall/Heavy Door


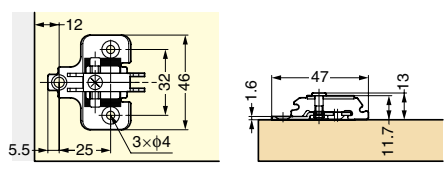

Parts Set (Per Door)		Necessary Parts Please refer to parts included in each set.					
Item Code	Item Name	Door Height	Door Weight	Parts Included			
				Hinge Set (With Damper) Item Name : LIN-X600ACD	Hinge Set (Without Damper) Item Name : LIN-X600A	Connecting Bar Item Name : LIN-X60-Lxxx	End Cap For Connecting Bar Item Name : LIN-X60C
250-017-068	LIN-X600S-1212	901-1200 mm	Less than 12 kg	2 sets	-	840 mm x 1 pc	2 pcs
250-017-069	LIN-X600S-1216		12.1-16 kg	3 sets	-		2 pcs
250-017-071	LIN-X600S-1516	1201-1500 mm	Less than 16 kg	3 sets	-	1140 mm x 1 pc	2 pcs
250-017-072	LIN-X600S-1520		16.1-20 kg	3 sets	1 set		2 pcs
250-017-074	LIN-X600S-1816	1501-1800 mm	Less than 16 kg	3 sets	-	1440 mm x 1 pc	2 pcs
250-017-075	LIN-X600S-1820		16.1 kg-20 kg	3 sets	1 set		2 pcs
250-017-493	LIN-X600S-1824		20.1-24 kg	3 sets	2 sets		2 pcs
250-017-077	LIN-X600S-2116	1801-2100 mm	Less than 16 kg	3 sets	-	1740 mm x 1 pc	2 pcs
250-017-078	LIN-X600S-2120		16.1 kg-20 kg	3 sets	1 set		2 pcs
250-017-079	LIN-X600S-2124		20.1-24 kg	3 sets	2 sets		2 pcs
250-017-082	LIN-X600S-2420	2101-2400 mm	Less than 20 kg	3 sets	1 set	2040 mm x 1 pc	2 pcs
250-017-083	LIN-X600S-2424		20.1-24 kg	3 sets	2 sets		2 pcs

Parts Included

No.	Part Name	Description	No.	Part Name	Description
1	Hinge Body with Damper 	Item Code : 250-016-962 Part Name : LIN-X600ACD • Material Steel • Finish Nickel	3	Connecting Bar 	Item Code : 250-016-964 Part Name : LIN-X60-L540 Item Code : 250-016-965 Part Name : LIN-X60-L840 Item Code : 250-016-966 Part Name : LIN-X60-L1140 Item Code : 250-016-967 Part Name : LIN-X60-L1440 Item Code : 250-016-968 Part Name : LIN-X60-L1740 Item Code : 250-016-969 Part Name : LIN-X60-L2040 • Material Aluminium Alloy • Finish Anodized
2	Hinge Body without Damper 	Item Code : 250-016-963 Part Name : LIN-X600A • Material Steel • Finish Nickel	4	End Cap for Connecting Bar 	Item Code : 250-016-970 Part Name : LIN-X60C • Material Polyacetal (POM) • Colour Grey

WARDROBE & CABINET DOOR HARDWARE

MONOFLAT LIN-X HINGE

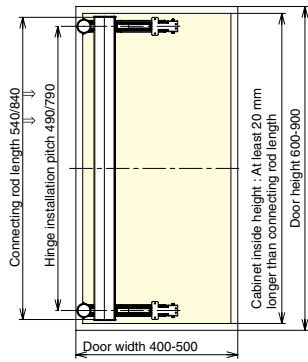
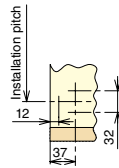
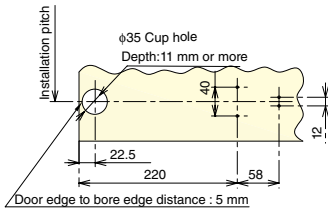
Mounting Plate		Necessary Parts Same qty as hinge is necessary.	
Item Code	Part Name	Dimensions	Description
160-070-041	Mounting Plate 		• Material Steel • Finish Nickel *Same quantity with hinge is necessary.
160-070-030	Raised Countersunk Head Tapping Screw 3.5x15 	x3 per mounting plate	• Material Steel • Finish Nickel

Hinge Installation Pitch and Other Dimensions

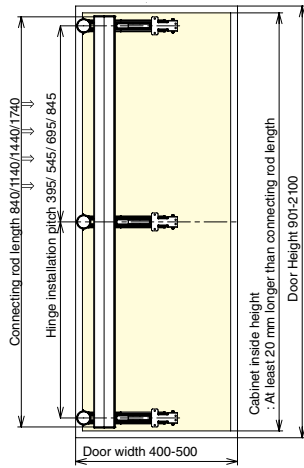
LIN-X450

Door Preparation

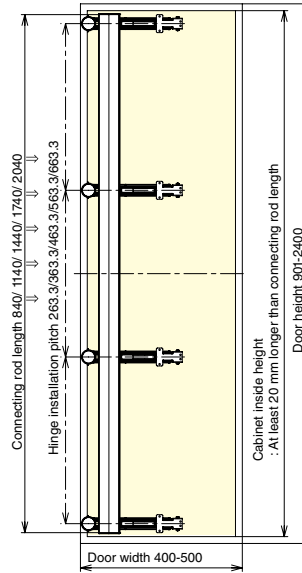
Cabinet Preparation



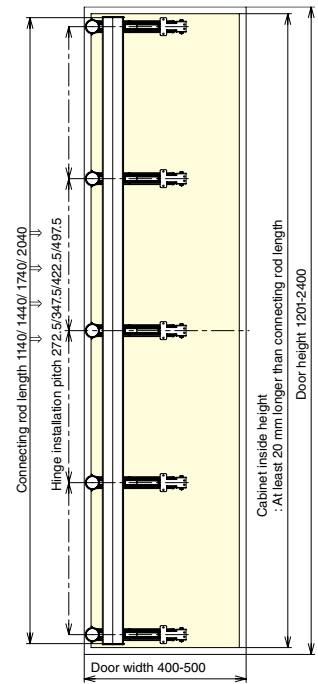
Door thickness 15-24  
Door weight up to 7 kg  
2 Hinges per door  
(① LIN-X450ACD : 2 pcs)



Door thickness 15-24  
Door weight up to 10.5 kg  
3 Hinges per door  
(① LIN-X450ACD : 3 pcs)



Door thickness 15-24  
Door weight up to 14 kg  
4 Hinges per door  
(① LIN-X450ACD : 3 pcs)  
(② LIN-X450A : 1 pc)  
\*Please install the ② to the second place from the bottom.



Door thickness 15-24  
Door weight up to 17 kg  
5 Hinges per door  
(① LIN-X450ACD : 3 pcs)  
(② LIN-X450A : 2 pcs)  
\*Please install the ② to the 2nd and 3rd place from the bottom.

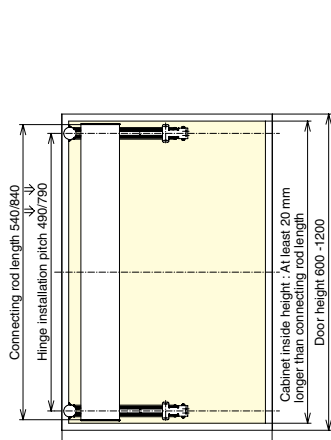
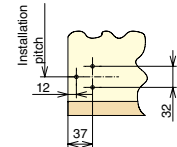
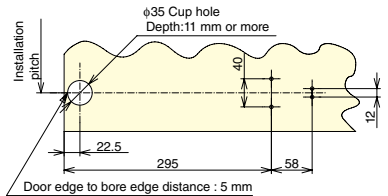
WARDROBE & CABINET DOOR HARDWARE

Hinge Installation Pitch and Other Dimensions

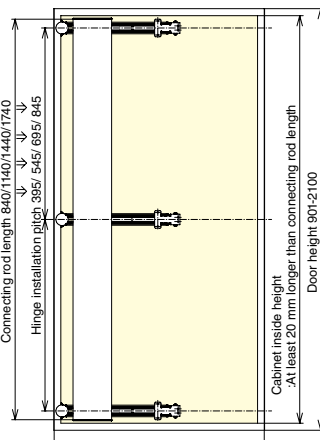
LIN-X600

Door Preparation

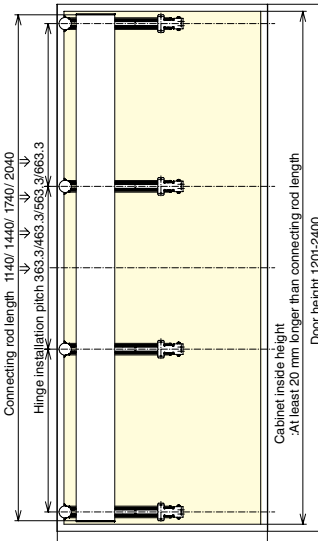
Cabinet Preparation



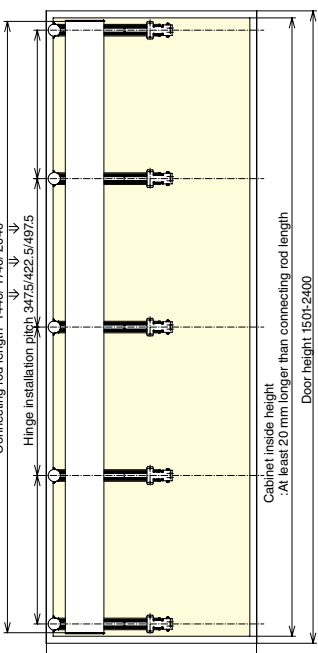
Door thickness 15-24  
Door weight  
Door height 600-1200  
⇒ Door weight up to 9 kg  
Door height 901-1200  
⇒ Door weight up to 12 kg  
2 Hinges per door  
(① LIN-X600 ACD : 2 pcs)



Door thickness 15-24  
Door weight  
Door height 901-2100  
⇒ Door weight up to 16 kg  
3 Hinges per door  
(① LIN-X600 ACD : 3 pcs)



Door thickness 15-24  
Door weight up to 20 kg  
4 Hinges per door  
(① LIN-X600 ACD : 3 pcs)  
(② LIN-X600 A : 1 pc)  
\*Please install the ② to the 2nd place from the bottom.



Door thickness 15-24  
Door weight up to 24 kg  
5 Hinges per door  
(① LIN-X600 ACD : 3 pcs)  
(② LIN-X600 A : 2 pcs)  
\*Please install the ② to the 2nd and 3rd place from the bottom.

MONOFLAT LIN-X HINGE